

Developed and produced in Switzerland
by Müller Technologie AG



Suction Mower MTSM 1200

- Robust housing with Hardox lining and wear strips
- Screw conveyor and cross-feed conveyor channel made of wear-free Hardox
- Can be attached to mowing crane with hydraulic ring mount and quick release
- Flail shaft can be equipped with Y-blade or forestry flail
- Mulcher with or without suction, guided by ring mount
- For shrubbery and woody plants up to max. 15 mm
- Adapted to the requirements for working on track embankments
- Maintenance-friendly design
- Tested version with stone guard seal
- Design and configuration as an eco mower

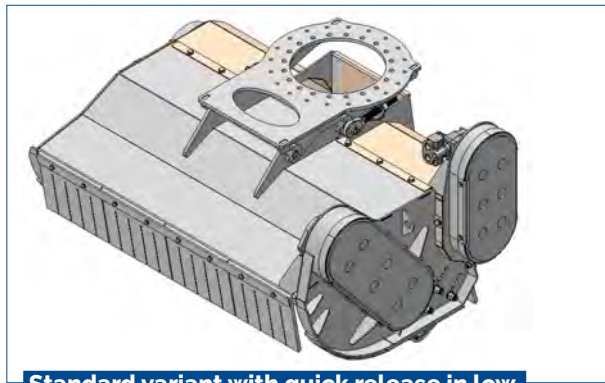
Cover picture

- Suction mower MTSM 1200 on Unimog equipment carrier
- With telescopic mowing crane and powerful blower
- Mowing width 1200 mm

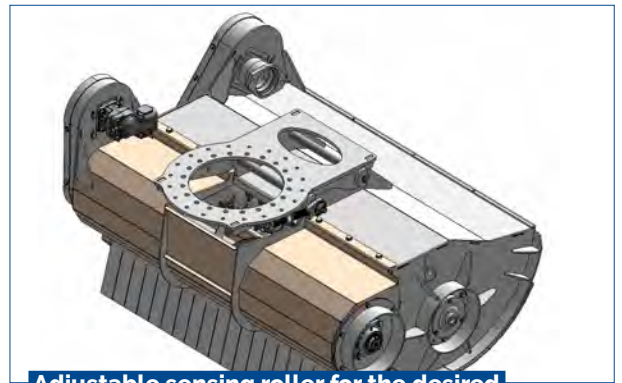


Technical data

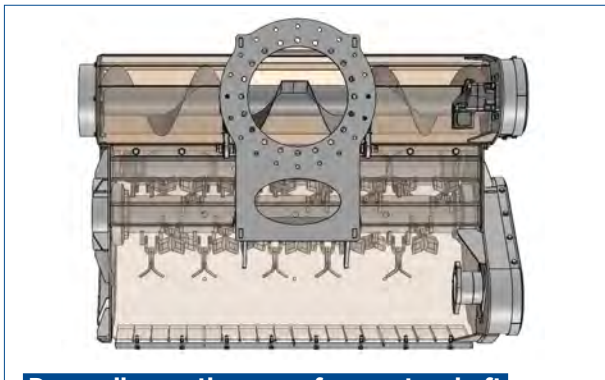
Manufacturer	Müller Technologie AG
Cutting width	1200 mm
Cutting tool	Y-blade
Drive power - flail shaft	40 kW
Pressure / volume flow rotor shaft	280 bar / 80 l/min
Cut material conveyor	Ejection screw
Drive power - screw mechanism	13,4 kW
Pressure / volume flow screw shaft	210 bar / 37 l/min
Weight	430 kg
Dimensions WxHxD	1450 x 815 x 1090 mm
Height of bottom mounting plate	740 mm (with a cutting height of 120 mm)



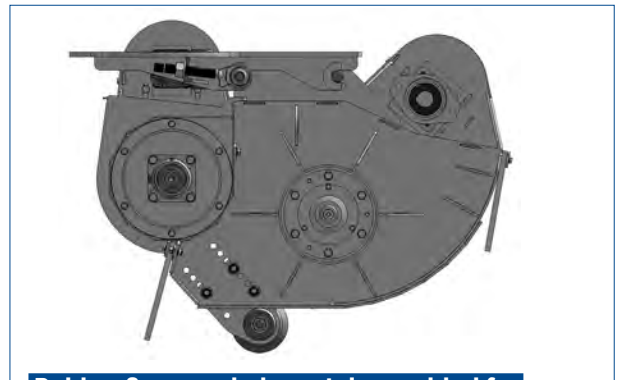
Standard variant with quick release in low, robust design



Adjustable sensing roller for the desired cutting length



Depending on the area of use, rotor shaft can be equipped with different blades



Rubber flaps or chain curtain provided for splash protection



Adrian Meier
Product manager
Municipal technology

Telefon +41 52 557 92 29
a.meier@rte.ch

Your contact

Müller Technologie AG

a subsidiary of
Müller Frauenfeld AG
Langfeldstrasse 94
8500 Frauenfeld

www.mueller-frauenfeld.ch